

IMPORTANT SAFETY INFORMATION

Item # 105195
March 2021

READ BEFORE INSTALLING OR USING MINIMIZER FLOOR MATS

Kenworth T270, T370 – 2006-2021 T300 – 2002-2006

*Must have the plastic trim around steering column

- #105187 – Automatic Transmission with passenger seat storage box. (Battery box trim line option)
- #105188 – Automatic Transmission with passenger bench seat. (Passenger air ride seat trim line option)
- #105189 – Manual Transmission with passenger seat storage box. (Battery box trim line option)
- #105190 – Manual Transmission with passenger bench seat. (Passenger air ride seat trim line option)

Kenworth T600, T800, W900 – 2002-2006

*Must have the plastic trim around steering column

**2006 models must have the floor mounted throttle pedal

- #105191 – Automatic Transmission with passenger seat storage box (Battery box trim line option)
- #105192 – Automatic Transmission with passenger bench seat (Passenger air ride seat trim line option)
- #105193 – Manual Transmission with passenger seat storage box (Battery box trim line option)
- #105194 – Manual Transmission with passenger bench seat (Passenger air ride seat trim line option)

*See Figure 9 for steering column. Floor mat kits do not fit trucks with the steel pipe steering column.

**2006 had a mid-year change. These floor mat kits only fit trucks with the throttle pedal mounted to the floor.

SAFETY INSTRUCTIONS FOR INSTALLATION:

- Use only with the specified vehicle make, model and year.
- Do not install on top of other floor mats.
- Install each floor mat with the Minimizer logo facing up.
- Use each floor mat only in its proper location in the vehicle.
- Install and use a retention hook for the driver side floor mat.
- Make sure that the floor mats fit properly in your vehicle floor space.
- Do not place additional floor mats on top of the Minimizer floor mats.
- Carefully follow each of the Installation Instructions for Minimizer Floor Mats on the following pages.

SAFETY INSTRUCTIONS FOR VEHICLE OPERATION:

- Before starting or operating the vehicle, verify that the Minimizer floor mats are installed correctly, that the driver side mat is secured by a retention hook, and that the driver side mat does not interfere with the accelerator, brake, or clutch pedal.
- Make sure there are no loose objects in the vehicle that could possibly interfere with the operation of the accelerator, brake, or clutch pedal.
- If your Minimizer floor mat becomes loose, stop the vehicle at the next safe location. Re-install the floor mat properly and securely. If that is not possible, remove the floor mat and place it in a location where it will not interfere with safe operation of the vehicle.
- Inform all drivers of these warnings before allowing them to operate a vehicle equipped with Minimizer floor mats.

Minimizer floor mats are specifically designed for certain vehicles and may be used safely only with those vehicles. VERIFY THAT THE MAKE, MODEL, AND YEAR OF THE VEHICLE IN WHICH YOU ARE INSTALLING THE FLOOR MATS ARE IDENTIFIED BELOW AS BEING COMPATIBLE WITH THE MINIMIZER FLOOR MATS YOU HAVE SELECTED.

If you have questions about these instructions or proper installation of your Minimizer floor mats, please contact Minimizer at (800) 248-3855

WARRANTY:

Minimizer Floor Mats are backed by a Lifetime Manufacturer's Warranty and are guaranteed against flaws due to faulty materials and/or unintended production variations. This warranty extends only to the original purchaser and excludes damage caused by abnormal use or conditions, including but not limited to extreme abrasive conditions and/or excessive exposure to chemicals such as bleach, gasoline and other fuels.

Disclaimer: Minimizer custom molded floor mats are not Kenworth goods and KENWORTH is a federally registered trademark of PACCAR, Inc.

KENWORTH FLOOR MAT SPECIFICATIONS:

Figure 1 - Floor Mat Kit 105187



- Kit 105187 shown in Figure 1 is compatible with 2006-2021 Kenworth T270 & T370 trucks and 2002-2006 Kenworth T300 trucks with automatic transmission and passenger storage box or passenger battery box.

Figure 2 - Floor Mat Kit 105188



- Kit 105188 shown in Figure 2 is compatible with 2006-2021 Kenworth T270 & T370 trucks and 2002-2006 Kenworth T300 trucks with automatic transmission and passenger bench seat or passenger air ride seat.

Figure 3 - Floor Mat Kit 105189



- Kit 105189 shown in Figure 3 is compatible with 2006-2021 Kenworth T270 & T370 trucks and 2002-2006 Kenworth T300 trucks with manual transmission and passenger storage box or passenger battery box.

Figure 4 - Floor Mat Kit 105190



- Kit 105190 shown in Figure 4 is compatible with 2006-2021 Kenworth T270 & T370 trucks and 2002-2006 Kenworth T300 trucks

with manual transmission and passenger bench seat or passenger air ride seat.

Figure 5 - Floor Mat Kit 105191



- Kit 105191 shown in Figure 5 is compatible with 2002-2006 Kenworth T600, T800 & W900 trucks with automatic transmission and passenger storage box or passenger battery box.*

Figure 6 - Floor Mat Kit 105192



- Kit 105192 shown in Figure 6 is compatible with 2002-2006 Kenworth T600, T800 & W900 trucks with automatic transmission and passenger bench seat or passenger air ride seat.*

Figure 7 - Floor Mat Kit 105193



- Kit 105193 shown in Figure 7 is compatible with 2002-2006 Kenworth T600, T800 & W900 trucks with manual transmission and passenger storage box or passenger battery box.*

Figure 8 - Floor Mat Kit 105194



- Kit 105194 shown in Figure 8 is compatible with 2002-2006 Kenworth T600, T800 & W900 trucks with manual transmission and passenger bench seat or passenger air ride seat.*

*Must have plastic trim around steering column per Figure 9.

Figure 9 - Steering Column Fitment



INSTALLATION INSTRUCTIONS:

1. Remove other floor mats from the vehicle before installing Minimizer floor mats.
2. Install the Minimizer floor mats right side up, with the Minimizer logo visible.
3. Each Minimizer floor mat is contoured to fit a particular location in the vehicle and may be used safely only in that location.
4. The Minimizer floor mat package contains one driver side mat and one passenger side mat.
5. Test fit the driver side floor mat. The mat should be pushed all the way forward so the front lip is making contact the doghouse trim panel and the fire wall.
6. Hand trimming may be required for different driver seat locations. See Figures 10 and 11 for driver mat trim diagram.

Figure 10 - Driver Mat Trimming Diagram for T270, T300 & T370 trucks

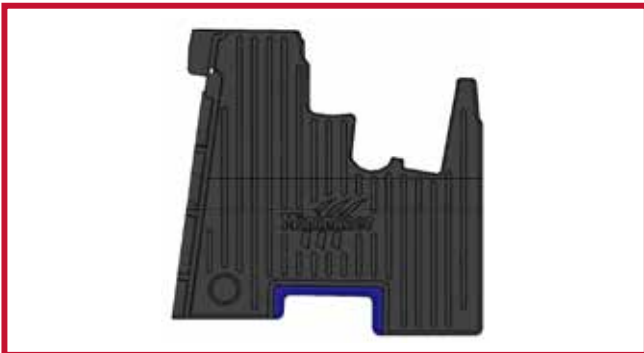
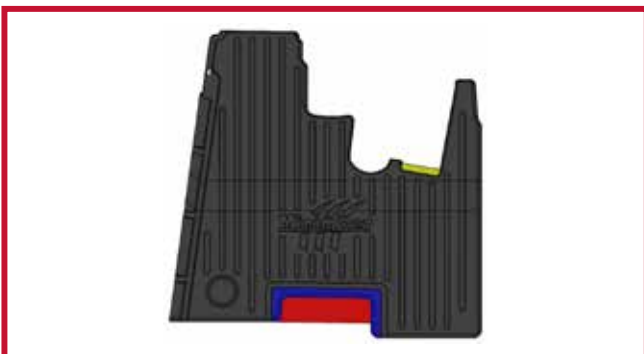


Figure 11 – Driver Mat Trimming Diagram for T600, T800 & W900 trucks

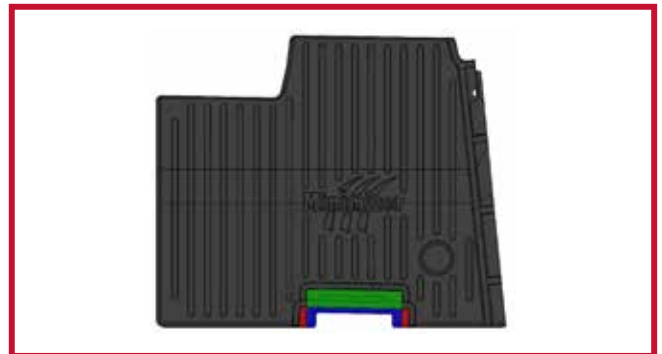


- For Minimizer seats, use a sharp utility knife to remove the blue shaded area in figure 10 and the blue & red shaded areas in figure 11.
 - The yellow shaded area in figure 11 can be hand trimmed to fit your trucks throttle pedal location as needed in the T600, T800 & W900 Models.
 - The red shaded area in figure 11 can be hand trimmed to fit different seat locations as needed in the T600, T800 & W900 models.
7. Test fit the passenger side floor mat. The mat should be pushed all the way forward so the front lip is making contact the doghouse trim panel and the fire wall.
 8. Hand trimming may be required for different passenger seat types. See Figures 12 and 13 for passenger mat trim diagram.

Figure 12 – Passenger Mat Trimming Diagram for kits 105187, 105189, 105191 & 105193



Figure 13 – Passenger Mat Trimming Diagram for kits 105188, 105190, 105192 & 105194



- For battery box seats, use a sharp utility knife to remove the blue shaded area in figure 12.
 - For Minimizer seats, use a sharp utility knife to remove the blue & green shaded areas in figure 13.
 - For air ride seats, use a sharp utility knife to remove the blue & red shaded areas in figure 13.
9. Install the driver and passenger floor mats and retention hooks to secure the floor mats from any movement.

Retention hook installation steps:

A) For use with door trim screws.

- Use a #3 Phillips screwdriver to remove the front screw in the door trim per figure 14.

Figure 14 - Driver/Passenger Side Screw Location



Driver Side

Passenger Side

- Locate the retention hooks provided in the floor mat kit. Insert the screw through the hole in the retention hook and replace the screw into the trim. Tighten the screw with the hook oriented towards the fire wall on the driver side and towards the rear of the truck on the passenger side as shown in figure 15.

Figure 15 - Retention Hook Orientation



Driver Side

Passenger Side

- Finish installing the floor mats and engage the retention hook. The mats must be pushed all the way forward so the front lip is making contact the doghouse trim panel and the firewall.

B) For use if door trim screw is not accessible.

- Locate the retention hook and Primer 94 provided in the floor mat kit.
- Read the Primer 94 safety precautions printed on the tube.
- Locate the raised alternate hook location on the outside lip of the floor mat as shown in figure 16 and trim with a 5/16" drill bit and/or utility knife.

Figure 16 – Alternate Retention Hook Hole Location



- The hooks will be located on the doghouse trim panel as shown in figure 17.

Figure 17 – Alternate Retention Hook Location



Driver Side

Passenger Side

- Activate the tube of Primer 94 by crushing the tube at the black dot.
- Apply the primer to the doghouse trim panel where the hooks will be located.
- Allow the Primer 94 to dry for 5 minutes.
- Insert the hooks into the driver and passenger mats and install the floor mat. The mats must be pushed all the way forward so the front lip is making contact the doghouse trim panel and the fire wall.
- Peel away the paper backing from the hook and stick the hook to the doghouse trim panel.
- Once the hook is in position, apply firm pressure to the hook for 30 seconds to ensure a proper bond.

10. Confirm that the retention hooks are fully engaged into the floor mats and that the retention hooks have adhered properly. If the retention hooks are not functioning properly or the mats cannot be securely installed, do not use the Minimizer floor mats. Set them aside in a safe location until they can be properly installed.

11. FAILURE TO PROPERLY INSTALL THE RETENTION HOOK FOR THE DRIVER SIDE SLOOR MAT MAY ALLOW THE MAT TO SHIFT, WHICH MAY INTERFERE WITH PROPER FUCTIONING OF THE VEHICLE'S PEDALS, POTENTIALLY RESULTING IN LOSS OF CONTROL OF THE VEHICLE AND SERIOUS INJURY OR DEATH.

12. Move the accelerator, break and clutch pedals through their full range of motion to confirm there is no interference with the Minimizer floor mat.

13. Prior to operating the vehicle, read the Safety Instructions for Vehicle Operation.

14. FAILURE TO CORRECTLY INSTALL AND USE YOUR MINIMIZER FLOOR MATS ACCORDING TO THE INSTRUCTIONS ABOVE COULD PREVENT PROPER FUCTIONING OF THE VEHICLE'S PEDALS, POTENTIALLY RESULTING IN LOSS OF CONTROL OF THE VEHICLE AND SERIOUS INJURY OR DEATH.

A DIVISION OF **HIGH BAR BRANDS, LLC**



**HIGH BAR
BRANDS**



2701 18th Street SW, Owatonna, MN 55060
1-800-248-3855 | Fax: 507-583-7540
www.minimizer.com